

VIRTUALSTRIPE floor marking safety laser User Manual

User Manual – please read before using

Attention User:

This manual contains important information about the safe installation and use of this product. Please read and follow these instructions carefully. Keep this manual in a safe place for future reference.

Safety Warning:

Caution – use of controls or adjustments or performance of procedures other than those specified herein may result in hazardous radiation exposure

Class 3R Laser Product – **Avoid Direct Eye Exposure**

Nominal Ocular Hazard Distance – 0.5 m

When unpacking, and before disposing of the carton, please check if there are any transportation damages before using the product. Should there be any damage caused by shipping and transit please consult the manufacturer immediately, and do not use it.

Failure to do so will void your warranty.

1. The product is to be installed, operated, and maintained by qualified, trained personnel only.
2. Avoid direct and prolonged eye exposure to laser light. Laser radiation can be harmful to eyes if used improperly.
3. Keep the environmental housing glass of the laser unit clean at all times. Do not use alcohol, or any other cleaning fluids to clean the surface glass. Use medical quality cotton pads to clean the glass. Wipe in one direction several times, then repeat wipe again 90 degrees in opposing direction, making a cross pattern. Again, always wipe in one direction. If the internal optics become contaminated, consult factory.
4. Please do not attempt to dismantle and/or modify the products internal structure. Opening the environmental housing for the diode will automatically void your warranty.
5. Electrical connection of the laser system must be carried out by qualified personnel.

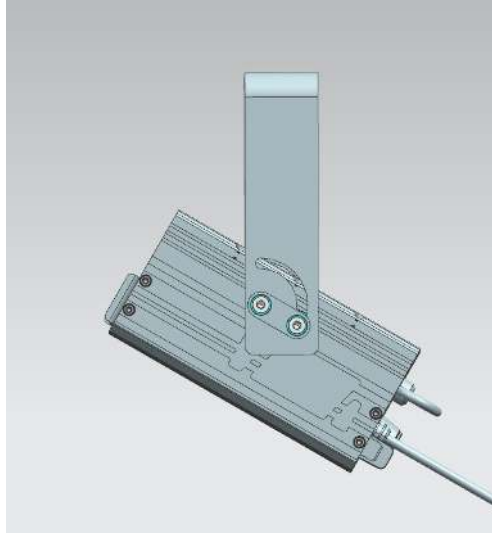
6. Before installation, study all power requirements to ensure that the voltage and frequency of power supply match the power requirement of the product.
7. Do not connect this device to any type of dimmer apparatus, and do not project onto reflective material like glass, mirrors, metal objects, etc.
8. If any part of the laser device fails, immediately stop using. All repairs should be made by qualified personnel only. If the product is within the warranty period, return to manufacturer for replacement.
9. When installing the system, be sure to follow the installation instructions precisely, firmly affixing all of the parts, including screws, articulating arm, clamp, mounts, etc.
10. Special Note:
 - A. Laser radiation is hazardous to the human eyes if exposure is direct and prolonged. Avoid staring directly into the beam.
 - B. Be sure to affix the system properly to your warehouse beams or mounting surfaces. Damage during the installation will void factory warranty.
 - C. As with any light source, when the laser is operational it easily generates a nominal amount of heat. Keep away from all flammable and or combustible materials.
 - D. DO NOT observe laser light with enhanced optics, such as binoculars.

Product Specifications:

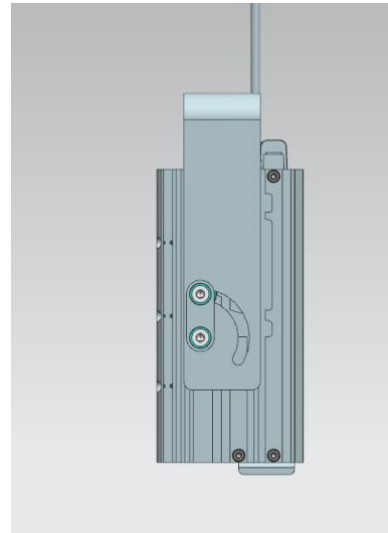
- Classification 3r
- Power input: 85-305 VAC Frequency 50/60Hz
- Laser line covering angle: 116 degrees
- Material: Aluminum alloy with powder coating
- Available colors: Green or Red
- Wavelength: Green 520nm Red 638nm
- Laser diode output power: Green 124mW and Red 230mW
- Radiant Power (P) 1.95MmW Green and 1.63 Red
- Dimensions: 8" x 6" x 3.3" without mounting bracket
- Weight 9.5 pounds without bracket
- Rated Life: 20,000 hours
- Warranty: 2 years, unlimited hours, product replacement on mfg. defects.
- Operating Temperature range -14F to 140F
- Operating humidity range: 20-90%RH
- Maximum mounting height: Typically 20-25' but varies widely based on floor conditions and ambient light levels.
- Line Width: Typically 1 to 3 inches depending on mounting height and line distance.
- Line length: Adjustable, maximum length is approximately 3.2 times mounting height.
- Rating: IP 67 fully sealed against dust and water..

Installation Instruction:

1, U-shaped Mounting Bracket



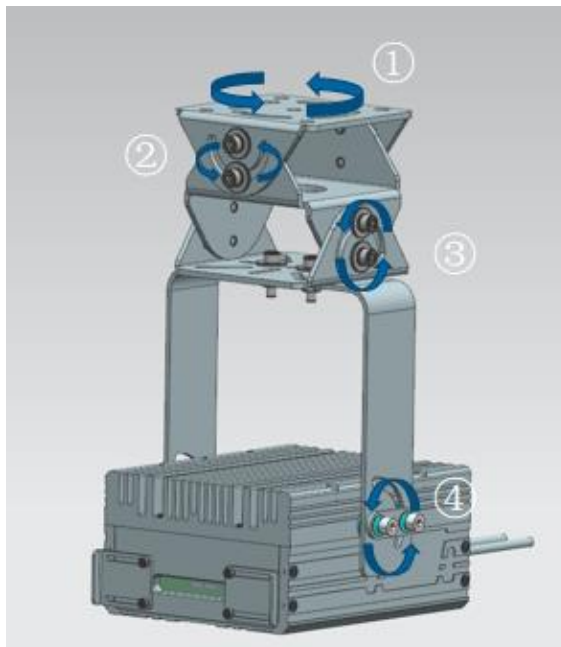
30°



90°

The adjustment angle range of the U-shaped mounting bracket is -90° - $+30^{\circ}$ (Total 120°)

2, U-shaped Mounting Bracket + Universal Bracket



The U-shaped bracket + universal bracket can be adjusted horizontally.

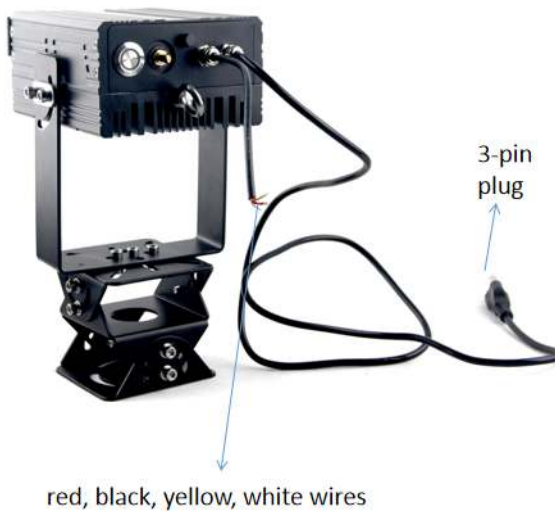
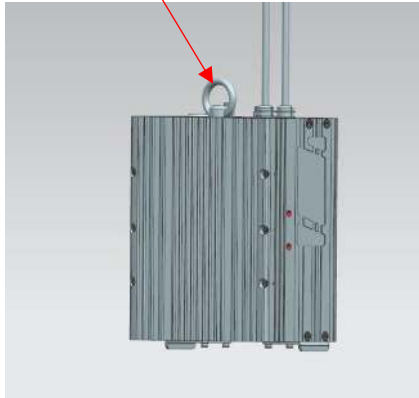
1), It is 360° adjustable. After confirming the installation angle, tighten the adjustment screw and add the locking screw for reinforcement

2), Horizontal adjustment: the angle is -45 degrees ~ +45 degrees

3), The adjustment angle is -45 degrees ~ +45 degrees

4), The adjustment angle is -90 degrees ~ +30 degrees

3, Safety Ring. The round safety ring is provided for extra safety in the event your bracket becomes loose or damaged. Attach a chain, cable or sling to the laser and secure it to the mounting structure.



power it constant

1. connecting the red and black wires together
2. plug in the 3-pin plug
3. turn on the switch

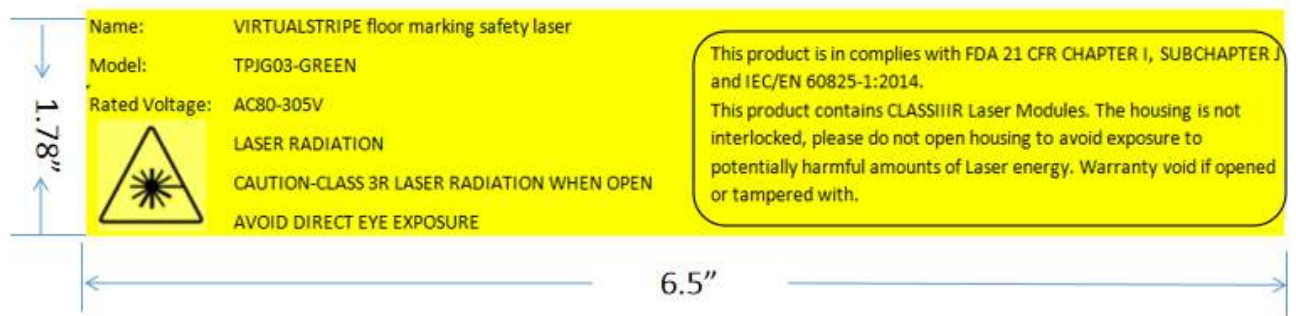
flash

1. connecting the red and black wires together
2. connecting the yellow and white wires together
3. plug in the 3-pin plug
4. turn on the switch

hook in a external sensor

1. connecting the external sensor with the red and black wires
2. plug in the 3-pin plug
3. turn on the switch

Laser Label:



Compliance: Complies with FDA 21 CFR CHAPTER I, SUBCHAPTER J and IEC/EN 60825-1:2014.

For assistance or warranty in North America contact:

Forklift Training Systems

Jessica Hoover

614-583-5749

info@forklifttrainingsystem.com

Outside of North America contact:

Elise Mao

Tel:+86(519) 81193809

elise@toptreesafety.com

Skype: Toptree818 | Whatsapp: +86-15051960989