

ECO Spot LED C40 LED Gobo Projector

Compact LED Gobo Projector for mid level Brightness and Image sizes.

- **Interchangeable projection lenses** make it easy to adapt to a wide range of applications.
- Takes D-Size metal and glass Gobos up to Full Color.
- Accepts **film material** for short term projection applications.
- Integrated switchable Gobo Rotator.
- Universal yoke/stand-foot allows for Standalone or Truss mounting.
- Compact, full Aluminum Housing.



SPECIFICATIONS:

PROJECTOR

Order Code: ES-C40
Power Supply: 100-240V, 277V, 50-60Hz, 48W

Other Build Options: ES-C40E: Outdoor version, ESC40+: Dim/Blink/Fade

LAMP DETAIL

Type: 40W LED
Rated Life: 40,000 Hours
Color Temperature (Kelvin): 6,000k +/-500k
Effective Luminous Flux: 2,400lm

OPTICAL

Available Projection Lenses:

Narrow:	f=140mm/14°
Semi-Narrow:	f=100mm/21°
Medium:	f=70mm/28°
Wide:	f=50mm/35°
Ultra Wide:	f=28mm/45° (max. Gobo ID: 23mm)

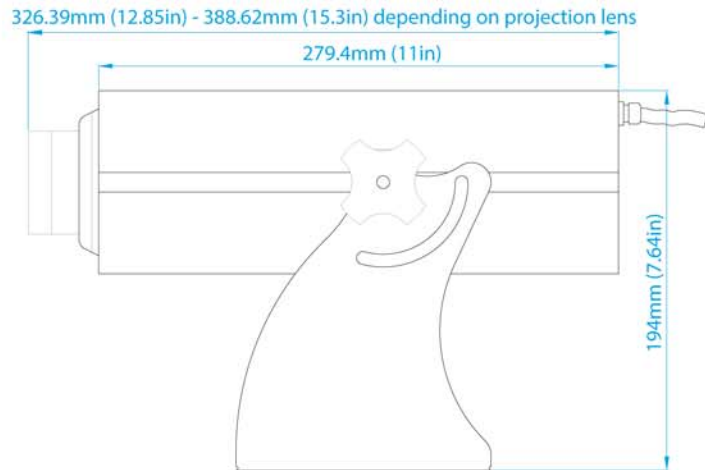
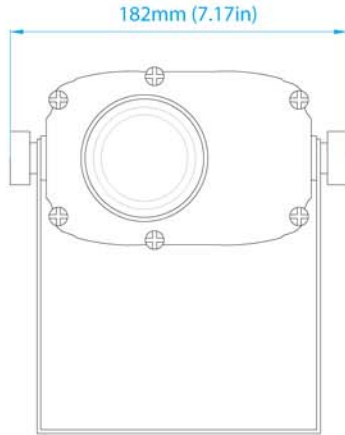
Gobo Dimensions: D-Size (OD52.8mm, ID25mm), max. thickness: 4mm
Recommended max. ID:
(ID=Gobo Image Diameter)

- standard artwork 32mm
- patterns for wall washing, etc. 38mm
- text 25mm

PROJECTION RANGE (typical range with Narrow lens)

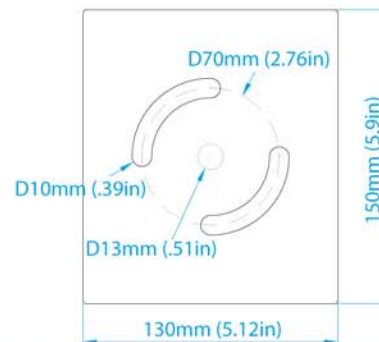
Bright environment: - up to 40ft
Dim environment: - up to 70ft
Dark environment: - up to 150ft (or more in very dark conditions)

ECO Spot C40 LED Gobo Projector



Typ. total length including the projection lens:

- Narrow: f=140mm/10°: 388.62mm (15.3in)
- Semi-Narrow: f=100mm/15°: 368.30mm (14.5in)
- Medium: f=70mm/20°: 326.39mm (12.8in)
- Wide: f=50mm/25°: 326.39mm (12.8in)
- Ultra Wide: f=28mm/45°: 347.98mm (13.7in)



Projector Weight: 7lbs

ECO Spot™ Photometrics						ECO Spot is a Trademark of Globus New Media LLC dba Gobosource																			
Model Gobo Size	Color Temp.	Lens	Beam Mult.	Effective lm	CD	Value	PROJECTION DISTANCE IN FEET (ft)																		
							3	6	9	12	15	20	24	30	36	42	64	88	112	136	200	300			
ES-C40	6000k	140mm (10°)	0.18	1648	64,800	Size (ft)				1.6	2.2	2.7	3.6	4.3	5.4	6.5	7.6	11.5	15.8	20.2	24.5	36.0			
						Brightn.(fc)				800	450	288	162	113	72	50	37	16	8	5	4	2			
ES-C40E	+/- 500k	100mm (15°)	0.26	2254	42,480	Size (ft)		1.6	2.3	3.1	3.9	5.2	6.2	7.8	9.4	11	17	23	29						
						Brightn.(fc)		1180	524	295	189	106	74	47	33	24	10	5	3						
E-Size ID=25mm		70mm (20°)	0.35	2354	24,480	Size (ft)	1.1	2.1	3.2	4.2	5.3	7.0	8.4	10.5	12.6	14.7	22.4	30.8							
						Brightn.(fc)	2720	680	302	170	109	61	43	27	19	14	6	3							
		50mm (25°)	0.45	3090	19,440	Size (ft)	1.4	2.7	4.1	5.4	6.8	9.0	11	14	16	19	29	40							
						Brightn.(fc)	2160	540	240	135	86	49	34	22	15	11	5	3							
		28mm* (45°)	0.88	3501	5,760	Size (ft)	2.6	5.3	7.9	10.6	13.2	17.6	21.1	26.4	31.7	37.0									
						Brightn.(fc)	640	160	71	40	26	14	10	6	4	3									



ECO Spot is a Trademark of Globus New Media LLC dba Gobosource

Copyright ©2018 GoboSource™

How to Read the Illumination Values

Foot Candles (ft)	For a quick overview, the illumination values in the tables are color coded. There are many factors that determine the visibility of a projection, such as ambient light, color and reflectiveness of the projection surface, competing light, gobo colors, projector color temperature, and other factors. Therefore our recommendations should only be used as guidelines and we cannot guarantee a successful application. If you are unsure, please call us to discuss.
Projection Size Calculation	For the resulting Projection Size at any given Distance, Multiply the number in the "Beam Mult." column with your Projection Distance. Projection Size = Distance x Beam Mult. For the Distance needed to achieve a desired Projection Size, Divide the Projection size by the Beam Multiplier. Distance = Projection Size / Beam Mult.
300+	Extreme brightness for extremely bright environments, i.e. bright areas, additionally flooded with daylight, such as Lobby-, Retail-, Trade Show-, Environment. Outdoors (shady, no direct sunlight).
150-300	Very high brightness for very bright environments, such as light flooded Office-, Lobby-, Retail-, Trade Show-, Environment. Color gobos project in vibrant colors. Outdoors well visible at night with vibrant colors.
45-150	The most common brightness bracket for bright environments, such as Office, Lobby, Retail, Tradeshow. Outdoors extremely bright at night. Color gobos project well.
15-45	Sufficient brightness for environments, such as Bars, Clubs, and intimate Restaurants, Theaters, and dimmed Conference rooms. Outdoors well visible at night. Color gobos should preferably be used with lighter colors and the projection surface should be light and somewhat reflective.
15-2	Only advisable for dark environments and subtle projection of light colored artwork, preferably on light, reflective projection surface. If all conditions are met, the max. listed image distance/size can be doubled in most cases.

Metric Conversions: For Meters multiply feet by .3048. For Lux multiply footcandles by 10.76

PACKAGE CONTENTS

Power Cord • Test Gobo • Spare Gobo Retaining Ring • Integrated Gobo Mounts • User Manual

FORKLIFT TRAINING SYSTEMS

614-583-5749

www.forklifttrainingsystems.com

info@forklifttrainingsystem.com