

# ECO Spot B90PCE LED Gobo Projector

## Weather- and Dustproof Projector for Rough Environments

- **Passive Cooling** - No moving parts such as fans or motors.
- Ideal for dusty and wet industrial environments.
- For very bright environments, extra large projection sizes and distances.
- Interchangeable Projection Lenses, for wide projection distance/size range.
- Takes std. **M-size gobos**, up to Full Color.



## SPECIFICATIONS:

**Order Code:** ES-B90PCE  
**Power Supply:** 95V-265V, 50-60GHz, 120W

**Other Build Options:** ES-B90E with active cooling and gobo rotator  
Passive Cooled models: 60W, 90W, 300W

**Lamp Type:** LED 90W  
**LED Power Range:** Adjustable 60 to 90W  
**Rated Life:** 25,000 to 60,000h depending on power setting  
**Color Temperature:** 6,000k +/-500k  
**Luminous Flux:** 7,200lm (effective flux 6,300lm)

**Projection Lenses:** Semi-Narrow: f=210mm/13°    Medium: f=140mm/20°  
Semi-Wide: f=115mm/25°    Wide: f=87mm/30°  
**Gobo Dimensions:** M-Size (OD66mm, ID48mm), max. thickness: 5mm  
**Gobo Types:** Glass and Metal, **NO** film material

## PROJECTION RANGE

**Bright environment:** - up to 50ft  
**Dim environment:** - up to 100ft  
**Dark environment:** - up to 250ft (or more in very dark conditions)

## SAFETY STANDARDS

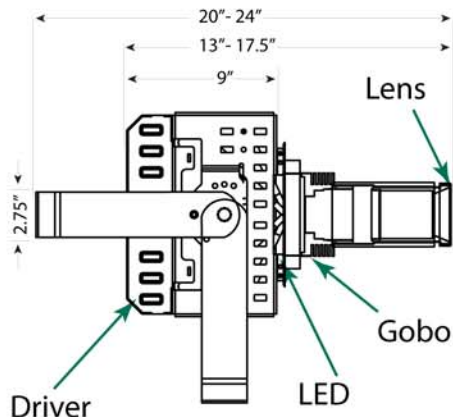
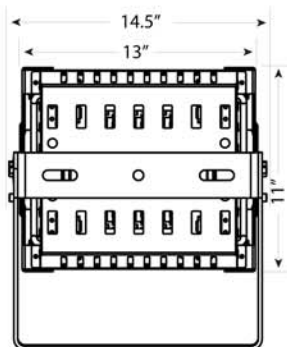
**Projector:** IP62 (self rated), UL in preparation

**Driver:** IP65, UL8750(type"HL"), CSA C22.2 No. 250.0-08, ENEC, TUV EN61347-1, EN61347-2-13, J61347-1, J61347-2-13 approved; design refer to UL60950-1, TUV EN60950-1

# ECO Spot B90PCE LED Gobo Projector

## Dimensions:

Projector Body: 11 x 13 x 9in  
Weight: 16lbs

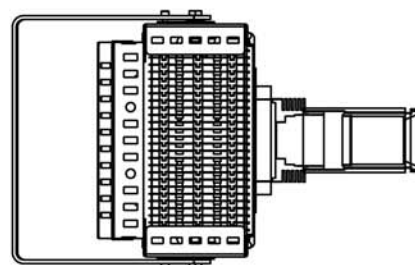


### Total length including the projection lens:

- Narrow: f=210mm/13°: 17.5in
- Medium: f=140mm/20°: 13in
- Semi-Wide: f=115mm/25°: 15.5in
- Wide: f=87mm/30°: 13in

### Total length including the lens & yoke:

- Narrow: f=210mm/13°: 24in
- Medium: f=140mm/20°: 20in
- Semi-Wide: f=115mm/25°: 21.5in
- Wide: f=87mm/30°: 20in



ECO Spot™ Photometrics		ECO Spot is a Trademark of Globus New Media LLC dba Gobosource																				
Model Gobo Size	Color Temp.	Lens	Beam Mult.	Effective lm	CD	Value	PROJECTION DISTANCE IN FEET (ft)															
							3	6	9	12	15	18	24	30	36	42	64	88	112	136	200	250
ES-B90 ES-B90E ES-B90C ES-B90CE	6000k +/- 500k	200mm (15°)	0.25	6217	126,720	Size (ft)	2.3	3.0	3.8	4.5	6.0	7.5	9.0	10.5	16.0	22.0	28.0	34.0	50.0			
		Brightness (fc)						1564	880	563	391	220	141	98	72	31	16	10	7	3		
M-Size ID=48mm	6000k +/- 500k	140mm (20°)	0.35	6300	65,520	Size (ft)	2.1	3.2	4.2	5.3	6.3	8.4	11	13	15	22	31	39	48			
		Brightness (fc)						1820	809	455	291	202	114	73	51	37	16	8	5	4		
		115mm (25°)	0.42	5700	41,760	Size (ft)	2.5	3.8	5.0	6.3	7.5	10.0	13	15	18	27	37	47				
		Brightness (fc)						1160	516	290	186	129	73	46	32	24	10	5	3			
		87mm (30°)	0.55	4445	18,720	Size (ft)	3.3	5.0	6.6	8.3	9.9	13.2	17	20	23	35	48					
		Brightness (fc)						520	231	130	83	58	33	21	14	11	5	2				

ECO Spot is a Trademark of Globus New Media LLC dba Gobosource

Copyright ©2015 GoboSource™

### How to Read the Illumination Values

<b>Foot Candles (ft)</b>	For a quick overview, the illumination values in the tables are color coded. There are many factors that determine the visibility of a projection, such as ambient light, color and reflectiveness of the projection surface, competing light, gobo colors, projector color temperature, and other factors. Therefore our recommendations should only be used as guidelines and we cannot guarantee a successful application. If you are unsure, please call us to discuss.
<b>Projection Size Calculation</b>	For the resulting Projection Size at any given Distance, Multiply the number in the "Beam Mult." column with your Projection Distance. <b>Projection Size = Distance x Beam Mult.</b> For the Distance needed to achieve a desired Projection Size, Divide the Projection size by the Beam Multiplier. <b>Distance = Projection Size / Beam Mult.</b>
<b>300+</b>	Extreme brightness for extremely bright environments, i.e. bright areas, additionally flooded with daylight, such as Lobby-, Retail-, Trade Show-, Environment. Outdoors (shady, no direct sunlight). Color gobos project in vibrant colors.
<b>45-300</b>	Very high brightness for very bright environments, such as Office-, Lobby-, Retail-, Trade Show-, Environment. Color gobos project in vibrant colors. Outdoors well visible at night with vibrant colors.
<b>15-45</b>	Sufficient brightness for regular environments, such as Bars, Clubs, and intimate Restaurants, Theaters, and dimmed Conference rooms. Outdoors well visible at night. Color gobos should preferably be used with lighter colors and the projection surface should be light and somewhat reflective.
<b>15-3</b>	Only advisable for dark environments and subtle projection of light colored artwork, preferably on light, reflective projection surface. If all conditions are met, the max. listed image distance/size can be doubled in most cases.

Metric Conversions: For Meters multiply feet by .3048. For Lux multiply footcandles by 10.76

## PACKAGE CONTENTS

Power Cord • Test Gobo • Spare Gobo Retaining Ring • Integrated Gobo Mounts • User Manual

**FORKLIFT TRAINING SYSTEMS**

614-583-5749

www.forklifttrainingsystems.com

info@forklifttrainingsystem.com